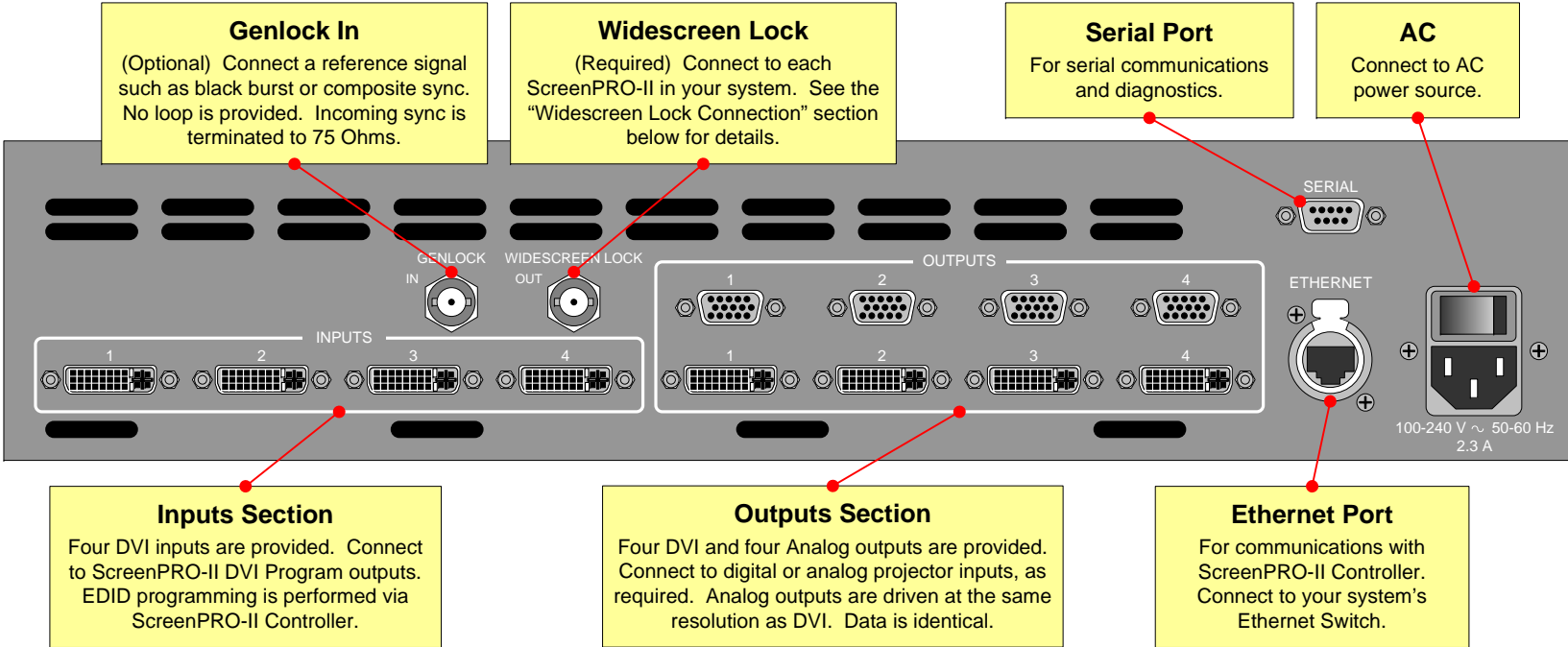


# BlendPRO-II

## Quick Start Guide



### Quick Install

#### Signal Connection

**Note:** Use the system diagrams (on the other side) for reference during the following signal installation process.

1. Connect Program/Preview monitoring, using ScreenPRO-II analog outputs.
2. Connect Ethernet to all ScreenPRO-II units, to BlendPRO-II, the ScreenPRO-II Controller, and all other Ethernet compatible devices. Ensure that you use a completely local network with no outside connections.
3. Connect DVI outputs from each ScreenPRO-II to BlendPRO-II DVI inputs.
4. Connect DVI or analog outputs from BlendPRO-II to your projector inputs. For analog connections, use the "BlendPRO-II Analog Output Connections" table.
5. (Optional) Connect external Genlock signal to BlendPRO-II **GENLOCK IN** connector. Do not connect Genlock signal to any ScreenPRO-II units.

### Note: Steps 6 through 9 are required.

6. Connect BlendPRO-II **WIDESCREEN LOCK** output to the **GENLOCK IN** connector on ScreenPRO-II with the lowest numbered ID.
7. Connect that ScreenPRO-II's **GENLOCK LOOP** connector to the **GENLOCK IN** connector on the ScreenPRO-II with the next highest numbered ID.
8. Repeat step 7 for all remaining ScreenPRO-II units in your system configuration.
9. Set the **Termination Switch** for all ScreenPRO-II units.
  - For all ScreenPRO-II units **except the last one**, ensure that the unit is un-terminated (**HI-Z**), with the **Termination Switch** out.
  - On the **last unit** in the chain (only), ensure that the ScreenPRO-II is terminated (**75-OHM**), with the **Termination Switch** pushed in.
10. Refer to the "ScreenPRO-II Controller User's Guide" for system setup and operating procedures.

### BlendPRO-II Analog Output Connections

Use the following table to connect BlendPRO-II RGB outputs to various projector inputs (3, 4, and 5 wire.)

- Use a customer-supplied VGA to 5 x BNC breakout cable, or for RGB with H and V sync, use the VGA connector directly.

Breakout Cable Wire Color	RGB Sync on Green	RGB Comp Sync	RGB Separate H V
R	✓	✓	✓
G	✓	✓	✓
B	✓	✓	✓
H Sync		✓	✓
V Sync			✓