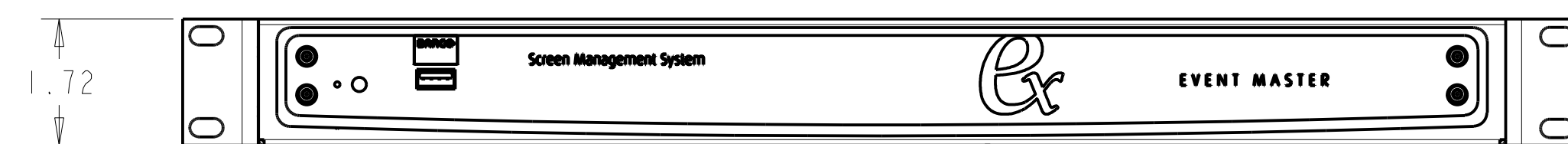
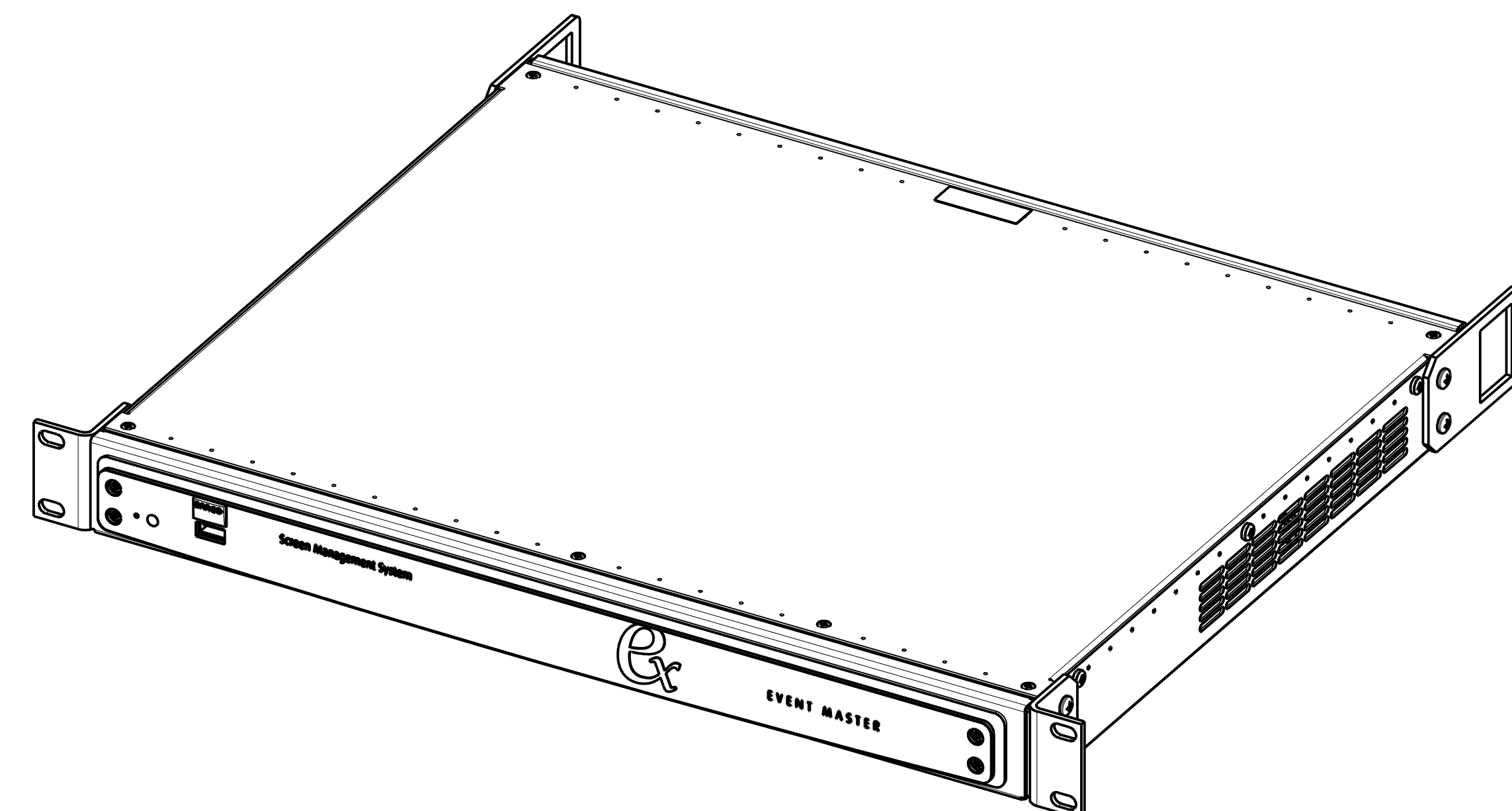
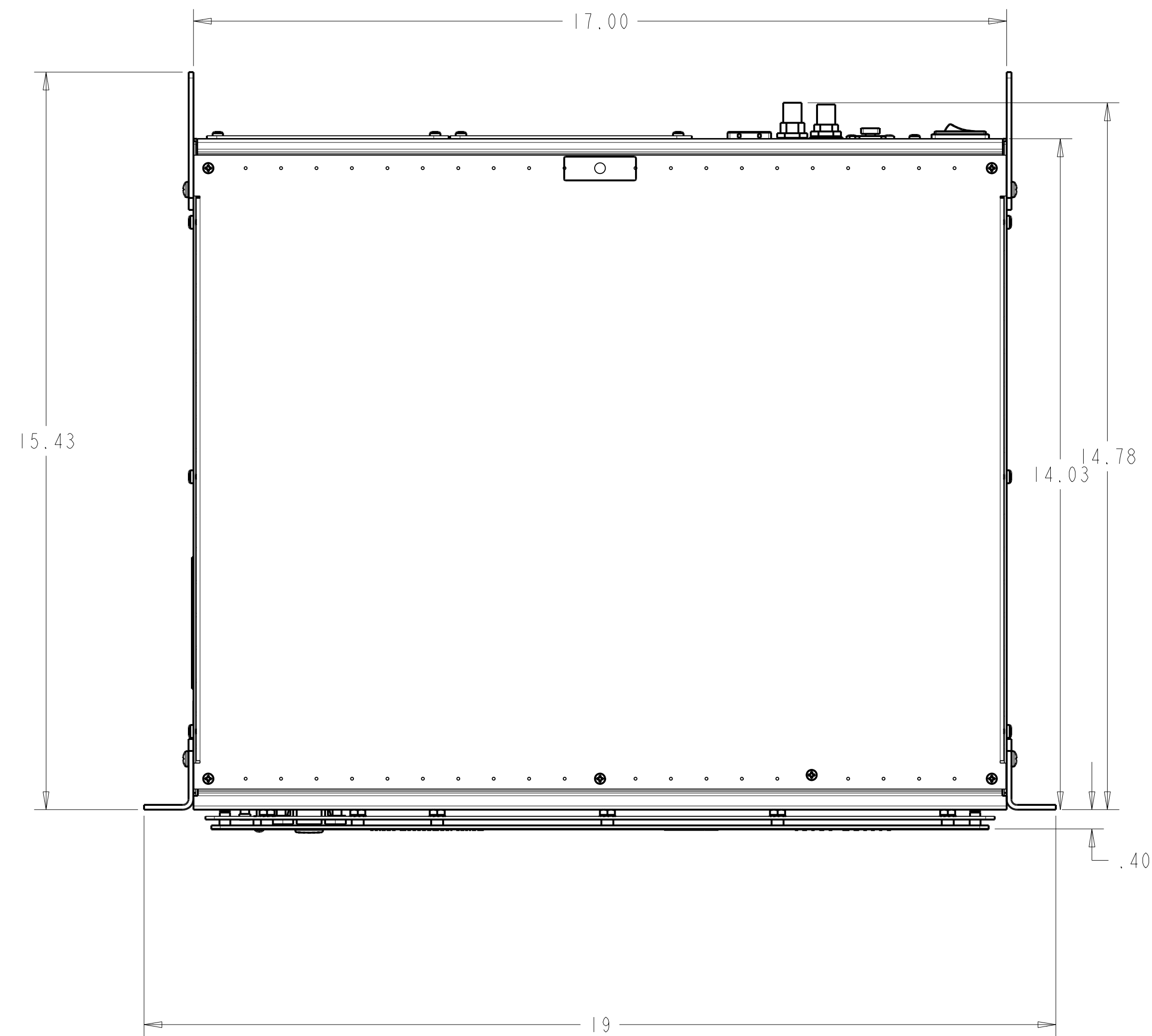


REVISIONS					
ECP#	ZONE	REV	DESCRIPTION	DATE	APPROVED
		X	RELEASE TO PROTO	XX/XX/XX	



QTY REQD	PART OR IDENTIFYING NO.	NOMENCLATURE OR DESCRIPTION	MATERIAL SPECIFICATION	ITEM NO.
PARTS LIST				
UNLESS OTHERWISE SPECIFIED DIMENSIONS ARE IN INCHES TOLERANCES ARE: FRACTIONS .XX ± .015 DECIMALS .XXX ± .010 ANGULAR ± .5° DO NOT SCALE DRAWING		CONTRACT NO.	BARCO 3078 Prospect Park Dr., Rancho Cordova, CA 95670	
TREATMENT	APPROVALS	DATE	TITLE EX DIMENSIONAL DRAWING	
FINISH	CHECKED			
	ENGR		SIZE	REV
	DESIGN ACTIVITY		D 58761	X
			DWG. NO. 01-1502000-90_DIMS	
			SCALE 0.500	RELEASE DATE
			SHEET	1 OF 1